

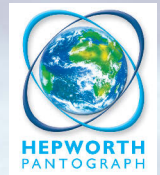


**HEPWORTH MARINE**  
INTERNATIONAL

# 80Nm Extra Heavy Duty Window Wiper

LOW VOLTAGE SYSTEMS IDEAL FOR AVERAGE TO HIGH SPEED VESSELS

- Pantograph and pendulum
- Silent running
- Arms with blades up to 59ins. (1500mm) available for average speed vessels
- Arms with blades up to 39ins. (1000mm) available for high speed vessels
- Fixed arc or variable arc models
- 12 and 24 volt DC
- Two speeds
- Self parking facility
- Insulated earth return
- Operated by various controls including a rotary switch, rocker switch or a multi-speed / function control system



... WIPER SYSTEMS FOR ALL SIZES OF VESSEL





**SPECIFICATIONS**

**Standard Details** 2 Speed; Self Parking; Insulated Earth Return; 12v and 24v

**Angles of Arc - Fixed:**

**Pantograph Units** 25° to 90° (in 5° increments only)

**Pendulum Units** 25° to 115° (in 5° increments only)

**Angles of Arc - Variable:**

**Pantograph Units** 40° to 90° (in 5° increments only)

**Pendulum Units** 40° to 90° (in 5° increments only)

**Spindle Centres** Between Drive Liner & Idler = 60mm  
Pantograph Units only

**Drive Liner** M26 - Brass Liner/16mm SS Spindle  
Pantograph & Pendulum Units

**Idler Liner** M26 - Brass Liner/16mm SS Spindle  
Pantograph Units only

**Liner Overall Length** Bulkhead Thickness + 55mm

**Bracket** C - Compact Bracket

**Unit Weight** Allowing for the maximum arm and blade lengths; 8Kgs (17.6 lbs)

**WIPER ARMS & BLADES**

■ **Pantograph Arms**

**P84** Heavy Duty  
**Lengths** 24" to 60" (610mm to 1525mm) nom  
**Drive Head** 16mm  
**Blade Clip** 14mm & 20mm

■ **Pendulum Arms**

**F80** Heavy Duty  
**Lengths** 24" to 60" (610mm to 1525mm) nom  
**Drive Head** 16mm  
**Blade Clip** 14mm

**F81** Heavy Duty  
**Lengths** 24" to 60" (610mm to 1525mm) nom  
**Drive Head** 16mm  
**Blade Clip** 20mm

■ **Blades**

**B160** Curved Blade, Stainless Steel  
**Lengths** 12" to 28" (310mm to 710mm) nom

For use with arm types:

**Pendulum** F80  
**Pantograph** P84

**B160** Curved Blade, Stainless Steel  
**Lengths** 32" (810mm), 36" (915mm), 39" (1000mm)

For use with arm types:

**Pendulum** F81  
**Pantograph** P84



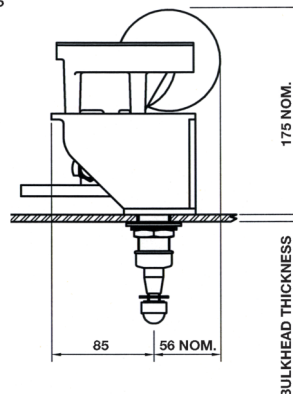
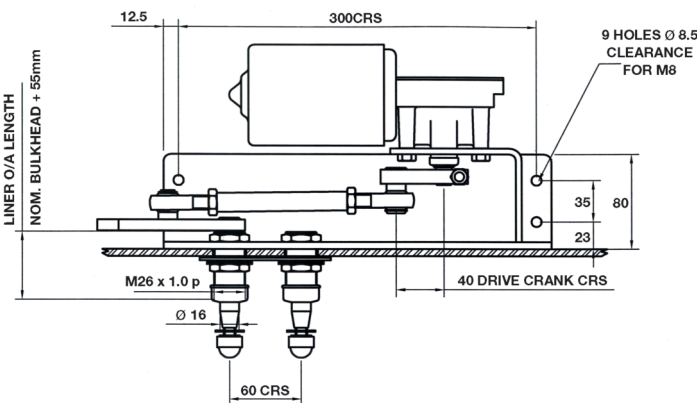
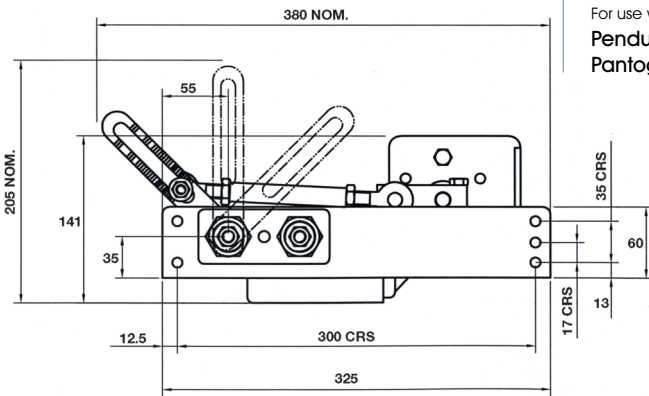
**80Nm**

**Extra Heavy Duty Window Wiper**

LOW VOLTAGE SYSTEMS  
IDEAL FOR AVERAGE  
TO HIGH SPEED VESSELS

Can be used in combination with the following Controllers:

- Carling Switch
- Cole Hersee Switch
- Wynn 8224 Bus Control
- Pine Controller
- Toggle Switch



\*Measurements are for illustrative purposes only



**B Hepworth & Co Ltd**

4 Merse Road,  
North Moons Moat, Redditch  
Worcestershire B98 9HL UK

**T** +44 (0)1527 61243

**F** +44 (0)1527 66836

**E** marine@b-hepworth.com

**We represent this supplier.  
For more information contact  
Observator Vision:**

**T: +31 (0)85 0436000  
E: [vision@observator.com](mailto:vision@observator.com)**

Zernikestraat 51  
3316 BZ Dordrecht  
The Netherlands

#### **Welcome to the world of Observator**

Since 1924 Observator has evolved to be a trend-setting developer and supplier in a wide variety of industries. Originating from the Netherlands, Observator has grown into an internationally

oriented company with a worldwide distribution network and offices in Australia, Germany, the Netherlands, Singapore and the United Kingdom.

[www.observator.com](http://www.observator.com)