



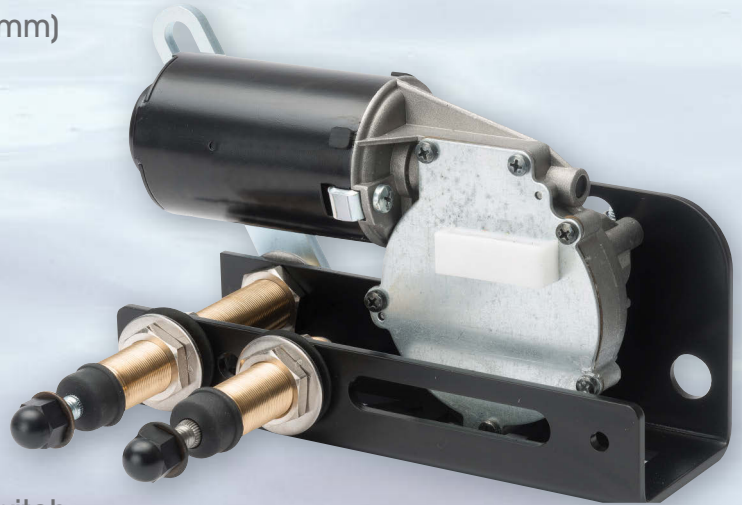
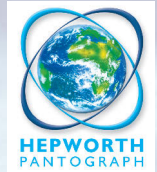
**HEPWORTH MARINE**  
INTERNATIONAL

# 50Nm Heavy Duty Window Wiper

IDEAL FOR AVERAGE TO HIGH SPEED VESSELS

- Pantograph and pendulum
- Low maintenance
- Silent running
- A compact and robust unit
- Arms with blades up to 39ins. (1000mm) available for average speed vessels
- Arms with blades up to 24ins. (610mm) available for high speed vessels
- Fixed arc or variable arc models
- 12 and 24 volt DC
- Two speeds
- Self parking facility
- Insulated earth return
- Operated by various controls including a rotary switch, toggle switch, rocker switch or a multi-speed / function control system

ISO 9001  
BUREAU VERITAS  
Certification



... WIPER SYSTEMS FOR ALL SIZES OF VESSEL





**SPECIFICATIONS**

<b>Standard Details</b>	2 Speed; Self Parking; Insulated Earth Return; 12v, 24v, 110v
<b>Angles of Arc - Fixed:</b>	
Pantograph Units	25° to 90° (in 5° increments only)
Pendulum Units	25° to 115° (in 5° increments only)
<b>Angles of Arc - Variable:</b>	
Pantograph Units	35°, 40°, 45°, 50°, 55°, 60°, 70°, 80°, 90°
Pendulum Units	35°, 40°, 45°, 50°, 55°, 60°, 70°, 80°, 90°, 100°, 110°, 120°
<b>Spindle Centres</b>	Between Drive Liner & Idler = 50mm Pantograph Units only
<b>Drive Liner</b>	M20 - Brass Liner/12mm SS Spindle Pantograph & Pendulum Units
<b>Idler Liner</b>	M20 - Brass Liner/12mm SS Spindle Pantograph Units only
<b>Liner Overall Length</b>	Bulkhead Thickness + 120mm Liners over 125mm are available at extra cost
<b>Bracket</b>	C - Compact Bracket
<b>Unit Weight</b>	Allowing for the maximum arm and blade lengths; 4Kgs (8.8 lbs)

**WIPER ARMS & BLADES**

■ **Pantograph Arms**

**P615** Medium Duty  
**Lengths** 12" to 39" (310mm to 990mm) nom  
**Drive Head** 12mm  
**Idler Head** 12mm  
**Blade Clip** 14mm

**P620** Medium Duty  
**Lengths** 12" to 39" (310mm to 990mm) nom  
**Drive Head** 12mm  
**Blade Clip** 14mm

■ **Pendulum Arms**

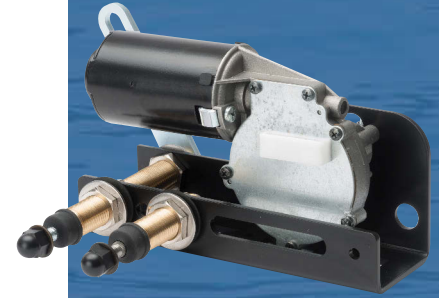
**F63** Medium Duty  
**Lengths** 12" to 39" (310mm to 990mm) nom  
**Drive Head** 12mm  
**Blade Clip** 14mm

**F73** Medium Duty  
**Lengths** 12" to 39" (310mm to 990mm) nom  
**Drive Head** 12mm  
**Blade Clip** 20mm

■ **Blades**

**B160** Curved Blade, Stainless Steel  
**Lengths** 12" to 28" (310mm to 710mm) nom  
 For use with arm types:  
**Pendulum** F63  
**Pantograph** P615

**B160** Curved Blade, Stainless Steel  
**Lengths** 32" (810mm) nom  
 For use with arm types:  
**Pendulum** F73  
**Pantograph** P620

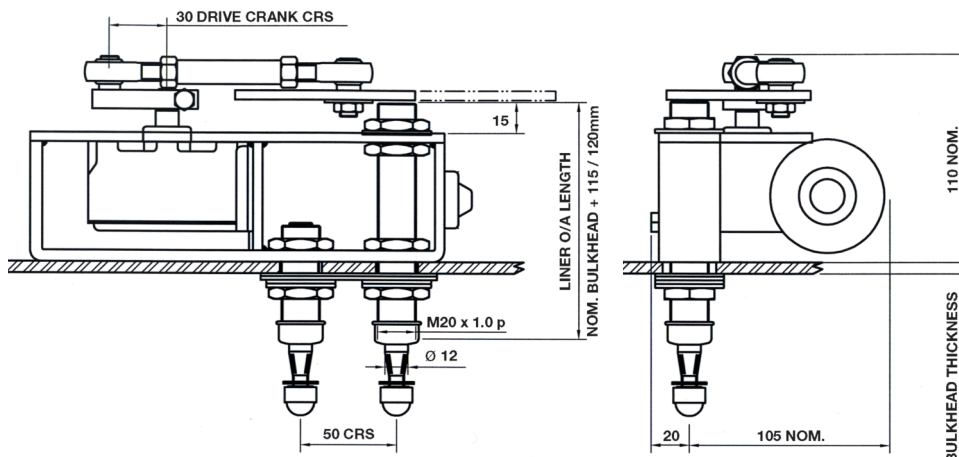
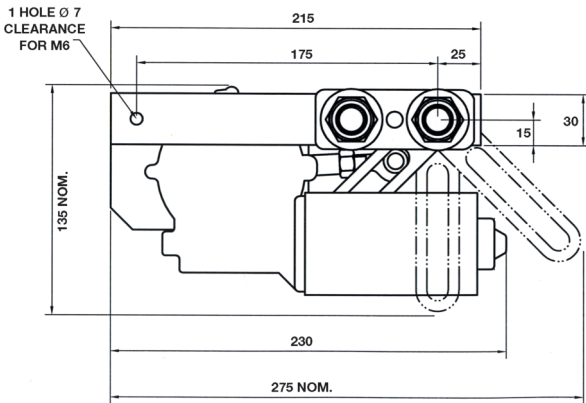


**50Nm**  
**Heavy Duty**  
**Window Wiper**

IDEAL FOR AVERAGE TO HIGH SPEED VESSELS

Can be used in combination with the following Controllers:

- For 12/24v motors:**
- Carling Switch
  - Cole Hersee Switch
  - Wynn 8224 Bus Control
  - Pine Controller
  - Toggle Switch
- For 110 vdc motor:**
- 110 vdc controller
  - Toggle switch
  - Wynn 8272



\*Measurements are for illustrative purposes only



**B Hepworth & Co Ltd**

4 Merse Road,  
 North Moons Moat, Redditch  
 Worcestershire B98 9HL UK

**T** +44 (0)1527 61243  
**F** +44 (0)1527 66836  
**E** marine@b-hepworth.com

**We represent this supplier.  
For more information contact  
Observator Vision:**

**T: +31 (0)85 0436000  
E: [vision@observator.com](mailto:vision@observator.com)**

Zernikestraat 51  
3316 BZ Dordrecht  
The Netherlands

#### **Welcome to the world of Observator**

Since 1924 Observator has evolved to be a trend-setting developer and supplier in a wide variety of industries. Originating from the Netherlands, Observator has grown into an internationally

oriented company with a worldwide distribution network and offices in Australia, Germany, the Netherlands, Singapore and the United Kingdom.

[www.observator.com](http://www.observator.com)