

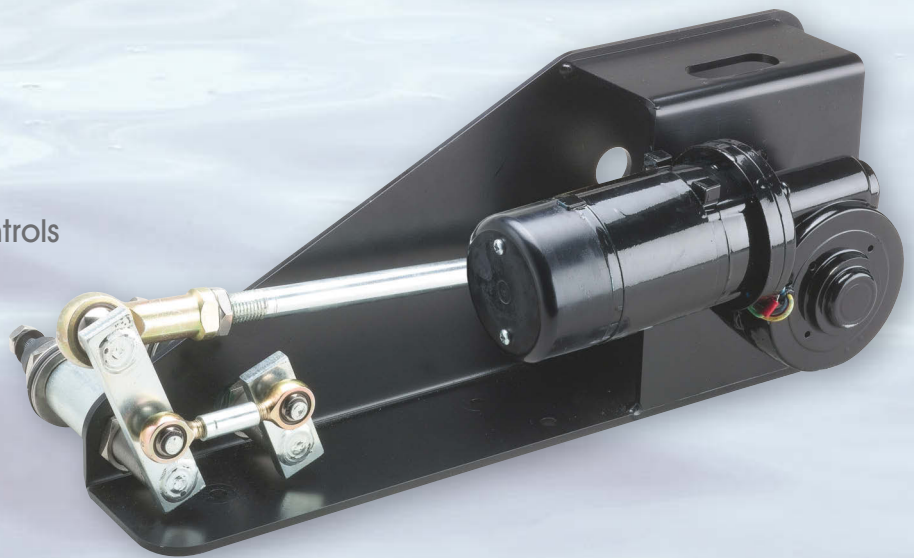
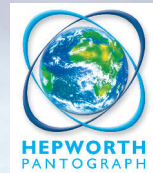


HEPWORTH MARINE
INTERNATIONAL

110Nm Extra Heavy Duty Window Wiper

LOW VOLTAGE SYSTEMS IDEAL FOR AVERAGE TO HIGH SPEED VESSELS

- Pantograph and pendulum
- Arms with blades up to 78ins. (2000mm) available for average speed vessels
- Arms with blades up to 59ins. (1500mm) available for high speed vessels
- Fixed arc or variable arc models
- 24 volt DC
- Two speeds
- Self parking facility
- Insulated earth return
- Operated by various controls including a rotary switch, rocker switch or a multi-speed / function control system



... WIPER SYSTEMS FOR ALL SIZES OF VESSEL





SPECIFICATIONS

Standard Details 2 Speed; Self Parking; Insulated Earth Return; 24v

Angles of Arc - Fixed:

Pantograph Units 45° to 90° (in 5° increments only)

Pendulum Units 45° to 115° (in 5° increments only)

Spindle Centres Between Drive Liner & Idler = 60mm Pantograph Units only

Drive Liner M26 - Brass Liner/16mm SS Spindle Pantograph & Pendulum Units

Idler Liner M26 - Brass Liner/16mm SS Spindle Pantograph Units only

Liner Overall Length Bulkhead Thickness + 55mm

Bracket L - Left Hand Bracket; R - Right Hand Bracket;

Unit Weight Allowing for the maximum arm and blade lengths; 9.2Kgs (20.0 lbs)

WIPER ARMS & BLADES

■ **Pantograph Arms**

P84 Heavy Duty
Lengths 24" to 72" (610mm to 1830mm) nom
Drive Head 16mm
Blade Clip 14mm & 20mm

■ **Pendulum Arms**

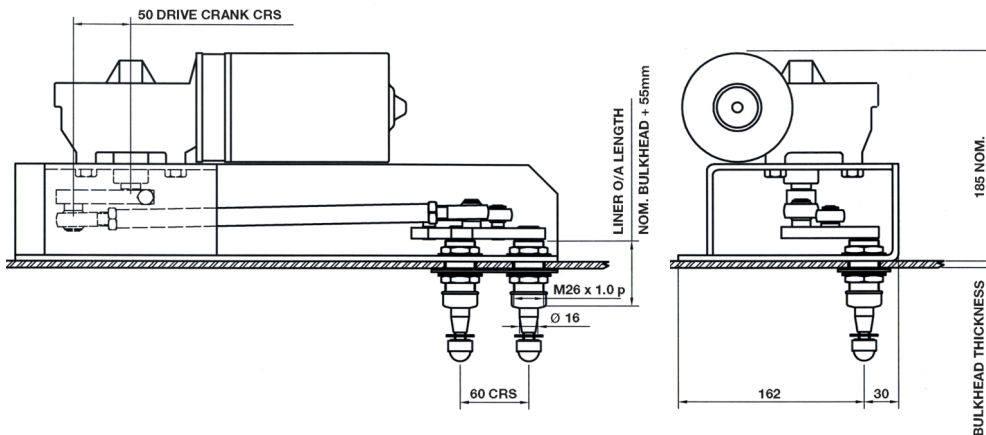
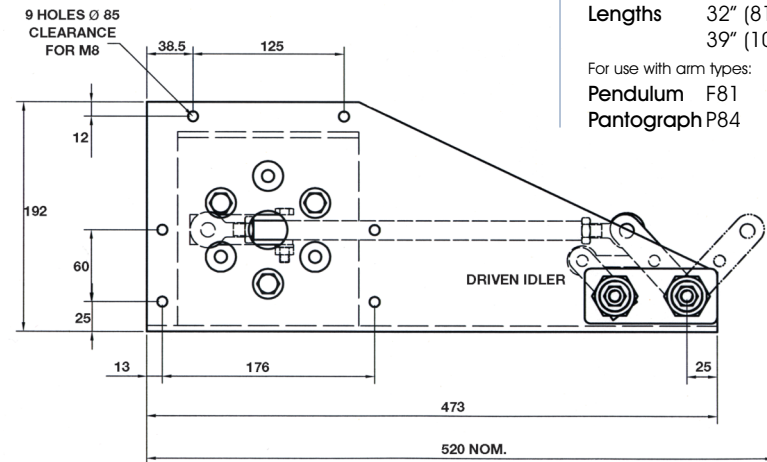
F80 Heavy Duty
Lengths 24" to 72" (610mm to 1830mm) nom
Drive Head 16mm
Blade Clip 14mm

F81 Heavy Duty
Lengths 24" to 72" (610mm to 1830mm) nom
Drive Head 16mm
Blade Clip 20mm

■ **Blades**

B160 Curved Blade, Stainless Steel
Lengths 12" to 28" (310mm to 710mm) nom
 For use with arm types:
Pendulum F80
Pantograph P84

B160 Curved Blade, Stainless Steel
Lengths 32" (810mm), 36" (915mm), 39" (1000mm)
 For use with arm types:
Pendulum F81
Pantograph P84



*Measurements are for illustrative purposes only

110Nm
Extra Heavy Duty Window Wiper

HIGH VOLTAGE SYSTEMS
 IDEAL FOR AVERAGE
 TO HIGH SPEED VESSELS

Can be used in combination with the following Controllers:

- Carling Switch
- Cole Hersee Switch
- Wynn 8224 Bus Control
- Toggle Switch



B Hepworth & Co Ltd

4 Merse Road,
 North Moons Moat, Redditch
 Worcestershire B98 9HL UK

T +44 (0)1527 61243

F +44 (0)1527 66836

E marine@b-hepworth.com

**We represent this supplier.
For more information contact
Observator Vision:**

**T: +31 (0)85 0436000
E: vision@observator.com**

Zernikestraat 51
3316 BZ Dordrecht
The Netherlands

Welcome to the world of Observator

Since 1924 Observator has evolved to be a trend-setting developer and supplier in a wide variety of industries. Originating from the Netherlands, Observator has grown into an internationally

oriented company with a worldwide distribution network and offices in Australia, Germany, the Netherlands, Singapore and the United Kingdom.

www.observator.com