

Suitable for general meteorology – hydrology – flood warning systems – remote and long-term logging deployments

Datasheet

RIM-7499-STD Rain Gauge

The RIMCO RIM-7499 range of siphon controlled tipping bucket rain gauges are professional instruments designed and constructed for long-term operation with minimal maintenance under all climatic conditions. All materials are corrosion resistant. These proven instruments are accurate to within 3% up to rainfall rates of 190mm/hr.

The RIM-7499-STD (standard) comes with a lower specification funnel and calibration than the RIM-7499-BOM (Bureau Of Meteorology) version. The STD version is ultimately the ideal low-cost alternative to the BOM version. The lower cost RIM-7499-STD can however, be ordered with the higher specification 1% BOM calibration.

Rain falling on the 203mm collecting funnel is directed through a siphon control unit and discharges as a steady stream into a two-compartment bucket mounted in an unstable equilibrium. As each compartment fills, the bucket tilts alternately about its axis. Each tip forces a contact closure by magnetic means corresponding to 0.2, 0.25 or 0.5mm of rainfall according to bucket capacity. A calibration certificate is supplied with every RIM-7499 rain gauge.

Applications

- General meteorology
- Water resources studies
- Hydrology
- Flood warning systems
- Automatic logging systems
- Remote and long-term logging deployments

Features

- Rugged and corrosion resistant construction
- Minimal maintenance, 25 years+ deployment life
- Low friction, non-seizing bucket bearings
- Gold plated buckets for minimal retention
- Dual reed-switch output
- Stable calibration
- Built-in bubble level
- Optional heater for operations below -30°C
- Optional self-powered internal counter
- Mounting pedestal available



Specifications

Collector diameter	203mm (8") \pm 0.2mm
Resolutions	0.2mm 0.25mm 0.5mm (0.01" & 0.02" to special order)
Accuracy	\pm 3% to 190mm/hr Can measure up to 347mm/hr (4%)
Contacts	Two normally open magnetically actuated reed switches Individual protection built-in
Reed-switch rating	50V AC/DC @0.5A non-inductive
Closure timing	50ms min 150ms max Max bounce time 0.75ms up to 500mm/hr
Termination	Screw termination (2.5mm ²)
Heating option	12 or 24V AC/DC (48W max) operation with electronic thermostatic control (P/N 7499-TCH) Specify operating voltage at time of order
Data logger	Several models available depending on application requirements. Some data loggers may be installed within the body of the rain gauge.



Dimensions

Height	300mm
Body diameter	230mm
Base diameter	280mm

Physical

Net weight	5.5kg
Shipping weight	7.0kg
Packing carton	330x330x430mm

Materials

Collector	Copper
Jacket	Stainless steel
Base	Cast marine grade Aluminium
Bucket	Gold plated brass
Bridge	Anodized marine Grade Aluminium
Switch holder	Delrin®
Fasteners	Stainless steel

Ordering Information

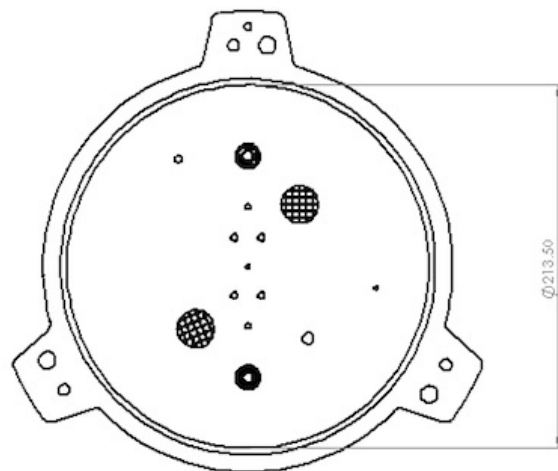
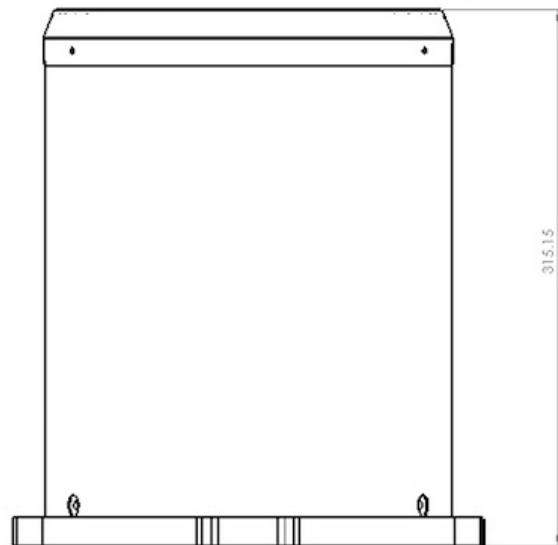
RIM-7499-020-STD	Rain gauge 0.2mm bucket
RIM-7499-025-STD	Rain gauge 0.25mm bucket
RIM-7499-050-STD	Rain gauge 0.5mm bucket
	Order options as required

Note:

- RIM-7499-BOM version is available for more accurate funnel collector specification.
- Non-siphon and imperial resolution versions are also available with differing accuracy specification.
- Other RIMCO rain gauge models are also available with 200cm² (RIM-8500) and 300mm (RIM-8300).

Mounting

A rugged mounting pedestal that elevates the collection rim 1m above ground level (P/N 8000PED1).



Welcome to the world of Observator

Solutions beyond expectations. That's what sets Observator apart. We believe in taking the extra step. Retaining our competitive edge, through innovation and uncompromised support, are key to success. As an ISO 9001:2015 certified company, we apply the highest quality standards to our products and systems.

Since 1924 Observator has evolved to be a trend-setting developer and supplier in a wide variety of industries. From instruments for meteorological and hydrological solutions, air and climate technology, to high precision mechanical production, window wipers and sunscreens for shipping and inland applications.

Solutions beyond expectations

Originating from the Netherlands, Observator has grown into an internationally oriented company with a worldwide distribution network and offices in Australia, Germany, the Netherlands, Singapore and the United Kingdom.

www.observator.com