



Datasheet

OMC-212-2 Rain Gauge with heating

The OMC-212-2 rain gauge is an instrument used to measure rainfall. It is designed and constructed for long-term operation with minimal maintenance under almost all climatic conditions. All materials used are corrosion resistant.

The OMC-212-2 may be mounted at ground level on a level slab or on the optional stand which elevates the collection rim to 1 meter above ground level. Other heights are available to order.

The measurement principle is based on a 'tipping bucket'. Each tip is detected by a magnet briefly closing a Reed contact. The 'tips' (closures of the Reed contacts) can be counted by an optional counter or data logger. The rain gauge does not need power, except for heating.

The OMC-212-2 rain gauges can also be supplied with siphon control which is better suited to heavy rainfall areas.

An unheated version, the OMC-210-2, is also available.

Features

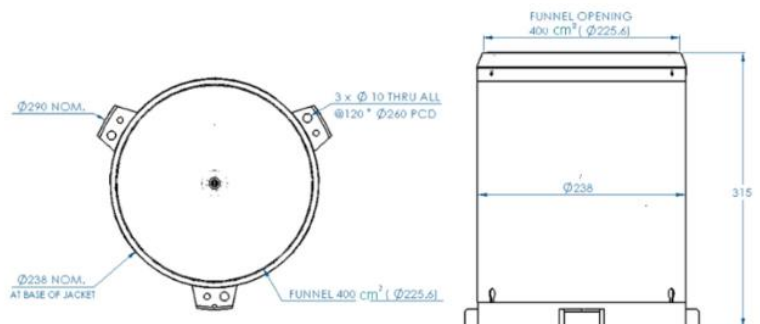
- Rugged and corrosion resistant construction
- Low friction, non-seizing bucket bearings
- Gold plated bucket for minimal retention
- Dual reed switch output
- Stable calibration
- Built-in bubble level
- Optional self-powered internal counter
- Unheated version OMC-210-2

Applications

- General meteorology
- Water resources studies
- Hydrology
- Flood warning systems
- Automatic logging systems
- Remote and long term logging deployments

www.observator.com

Collector surface	400 cm ² ± 1 cm ²	Precipitation	Operating: heavy rain, hail or snow Storage: accumulation of up to 15 mm of freezing precipitation accompanied by wind gusts of 100 km/hr
Resolutions	0.1 mm, 0.2 mm and 0.5 mm	Vibration	Operating: high, consistent with high winds Storage: high, consistent with shipping and handling
Accuracy	0.1 mm version: ± 3% over 25 mm/hr to 100 mm/hr ± 4% to 200 mm/hr ± 7% to 500 mm/hr 0.2 and 0.5 mm versions: ± 3% over 25 mm/hr to 200 mm/hr ± 6% to 500 mm/hr	Heating	24 V AC/DC, max. 0.5 A, with thermostatic on/off control
Contacts	Two normally open magnetically actuated reed switches.	Data logger option	Self powered data logger with GPRS modem installed within the body of the rain gauge. Refer to OMC-042 data logger.
Closure timing	50 milliseconds min 150 milliseconds max	Counter option	Liquid Crystal 6 Digit Counter (self powered) installed within the body of the rain gauge (P/N 7499 LCD)
Max bounce time	0.75 milliseconds up to 350 mm/hr	Ordering	OMC-212-2-01 0.1 mm bucket OMC-212-2-02 0.2 mm bucket OMC-212-2-05 0.5 mm bucket Order options as required
Termination	Screw termination (2.5 mm ²) on the Reed Switch Holder	Unheated version	Refer to OMC-210-2 data sheet
Dimensions	340 mm height incl. adjusting bolt 238 mm collection rim outer diameter 238 mm body diameter 290 mm footprint diameter		
Physical	4.0 kg net 7.0 kg shipping weight 7.0 kg cubic (airfreight) weight Standard shipping carton = 315 mm x 315 mm x 420 mm nominal		
Temperature	Operating -10° to +50°C Storage -10° to +60°C		
Humidity	Operating <10% to 100% Storage <0% to 100%		



Welcome to the world of Observator

Since 1924 Observator has evolved to be a trend-setting developer and supplier in a wide variety of industries. Originating from the Netherlands, Observator has grown into an internationally

oriented company with a worldwide distribution network and offices in Australia, Germany, the Netherlands, Singapore and the United Kingdom.

www.observator.com