

GMX400 Compact Weather Station

High quality, easy-to-use, integrated weather station

MaxiMet compact weather stations are designed to be simple to install, use and maintain. In addition to providing measured parameters, the products derive additional parameters and data is output as a single string and available on a range of communications protocols.

MaxiMet weather stations benefit from the same technology used in Gill's scientific product range, ensuring measurement accuracy, low maintenance and continuous status reporting.

The MaxiMet family includes a range of sensor configurations allowing customers to select the model most appropriate to their needs.

Typical applications

- Control systems including smart buildings, agriculture and industry.
- Solar farms.
- Road and rail.
- Ports and harbours.
- Reporting systems for transport and safety.
- Low power/solar powered deployments and IoT applications.

MaxiMet GMX400 key features

- Four measured parameters:
Temperature, humidity, pressure, rainfall (optical sensor).
- Multiple additional derived parameters based on combining measured parameters, such as dew point, pressure at sea level and heat index.
- High quality, accurate, solid state sensors.

Benefits

- High quality measurement data due to careful sensor selection and extensive design testing and verification.
- Easy to set-up and integrate using comprehensive software to select the reported and derived parameters and measurement units required.
- Easy to install and long operational life, due to a compact, robust design and the selection of low maintenance sensors.
- Suitable for use with battery or solar systems in low power mode.



MaxiMet GMX400 measures 4 parameters including precipitation.



MaxiMet compact weather stations are integrated into systems monitoring gas and particulate concentrations in the air.

GMX400 Compact Weather Station

High quality, easy-to-use, integrated weather station

AIR TEMPERATURE	
Range	-35°C to +70°C
Accuracy	±0.3°C
Resolution	0.1°C
Units of measurement	°C, °F, K

RELATIVE HUMIDITY	
Range	0-100% RH
Accuracy	typically ±2% RH across full range
Resolution	1% RH
Units of measurement	% RH, g/m ³

BAROMETRIC PRESSURE	
Range	300-1250 hPa
Accuracy 900-1100 hPa, 25-40°C	Absolute (typically) ±0.4 hPa Relative (typically) ±0.08 hPa
Resolution	0.1 hPa
Units of measurement	hPa, mbar, mmHg, inHg

PRECIPITATION	
Measurement type	Optical
Range	0-300 mm/hr
Resolution	0.08 mm
Units of measurement	mm/hr, mm total, in/hr, in total

WARRANTY	
Warranty	24 months

OUTPUTS	
Digital comms modes	RS232, RS422 RS485, SDI-12, NMEA 0183, MODBUS
Protocols	ASCII, SDI-12 v1.3, MODBUS (RTU and ASCII)
Data outputs rates	1/s, 1/min, 1/hour, or polled

POWER SUPPLY	
Input voltage	5-30 VDC
Current spec @ 12VDC	45 mA continuous mode (std unit) +10 mA with GPS option 0.7 mA eco-power mode

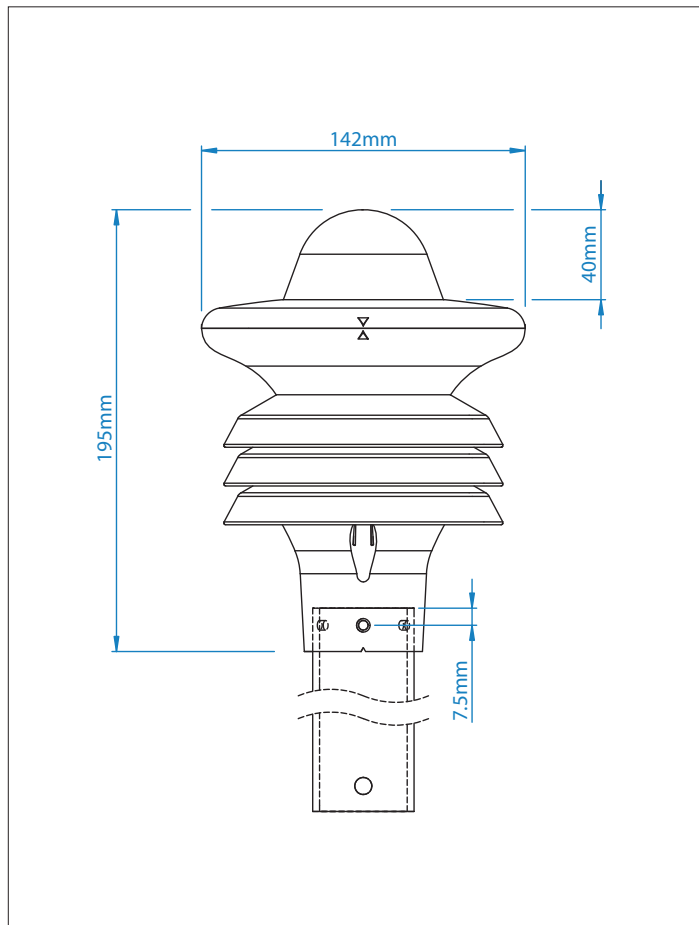
MECHANICAL	
Construction	UV stabilized thermoplastic
Fittings	Fit to 30mm to 58mm pole or mast
Weight	0.5 kg
Connector type	9-way clipper connector

ENVIRONMENTAL	
Protection class	IP66
Operating temp.	-35°C to +70°C
Storage temp	-40°C to +70°C

STANDARD EQUIPMENT (supplied with product)	
MaxiMet product	
Mating connector	
MetSet software*, to set-up and configure MaxiMet (comms mode, measurement units, reporting intervals, derived parameters, etc.)	
MetView software*, to view reported parameters	
MaxiMet User Manual*	
* downloadable from Gill Instruments website	

GMX400 Compact Weather Station

High quality, easy-to-use, integrated weather station



EXAMPLE DERIVED PARAMETERS FOR MAXIMET RANGE

A full list of derived parameters is available in the User Manual which can be downloaded from gillinstruments.com

Average wind speed	Sunrise
Average wind direction	Solar noon
Corrected wind speed	Twilight
Corrected wind direction	Sunset
Gust wind speed & direction	Position of sun
Dew point	Angle of tilt
Wind chill	Pressure at sea level
Absolute humidity	Heat index

ACCESSORIES

A list of the accessories available to support MaxiMet is provided on the MaxiMet Accessories Datasheet, which can be downloaded from gillinstruments.com

MaxiMet®
Compact Weather Stations

Reliable, high quality compact, integrated weather stations

Accessories Datasheet

MaxiMet weather stations are supported by a range of accessories. These accessories can be used to connect, install and maintain MaxiMet. The accessories have been designed or selected to ensure the long-term performance of MaxiMet products.

Accessories	Part Number
1. 10m cable for connection to a computer or data logger	10000000
2. 10m cable for connection to a computer or data logger (with power)	10000001
3. 10m cable for connection to a computer or data logger (with power) - 10m cable with power	10000002
4. 10m cable for connection to a computer or data logger (with power) - 10m cable with power (with power)	10000003
5. 10m cable for connection to a computer or data logger (with power) - 10m cable with power (with power)	10000004
6. 10m cable for connection to a computer or data logger (with power) - 10m cable with power (with power)	10000005
7. 10m cable for connection to a computer or data logger (with power) - 10m cable with power (with power)	10000006
8. 10m cable for connection to a computer or data logger (with power) - 10m cable with power (with power)	10000007
9. 10m cable for connection to a computer or data logger (with power) - 10m cable with power (with power)	10000008
10. 10m cable for connection to a computer or data logger (with power) - 10m cable with power (with power)	10000009
11. 10m cable for connection to a computer or data logger (with power) - 10m cable with power (with power)	10000010
12. 10m cable for connection to a computer or data logger (with power) - 10m cable with power (with power)	10000011
13. 10m cable for connection to a computer or data logger (with power) - 10m cable with power (with power)	10000012
14. 10m cable for connection to a computer or data logger (with power) - 10m cable with power (with power)	10000013
15. 10m cable for connection to a computer or data logger (with power) - 10m cable with power (with power)	10000014
16. 10m cable for connection to a computer or data logger (with power) - 10m cable with power (with power)	10000015
17. 10m cable for connection to a computer or data logger (with power) - 10m cable with power (with power)	10000016
18. 10m cable for connection to a computer or data logger (with power) - 10m cable with power (with power)	10000017
19. 10m cable for connection to a computer or data logger (with power) - 10m cable with power (with power)	10000018
20. 10m cable for connection to a computer or data logger (with power) - 10m cable with power (with power)	10000019
21. 10m cable for connection to a computer or data logger (with power) - 10m cable with power (with power)	10000020
22. 10m cable for connection to a computer or data logger (with power) - 10m cable with power (with power)	10000021
23. 10m cable for connection to a computer or data logger (with power) - 10m cable with power (with power)	10000022
24. 10m cable for connection to a computer or data logger (with power) - 10m cable with power (with power)	10000023
25. 10m cable for connection to a computer or data logger (with power) - 10m cable with power (with power)	10000024
26. 10m cable for connection to a computer or data logger (with power) - 10m cable with power (with power)	10000025
27. 10m cable for connection to a computer or data logger (with power) - 10m cable with power (with power)	10000026
28. 10m cable for connection to a computer or data logger (with power) - 10m cable with power (with power)	10000027
29. 10m cable for connection to a computer or data logger (with power) - 10m cable with power (with power)	10000028
30. 10m cable for connection to a computer or data logger (with power) - 10m cable with power (with power)	10000029
31. 10m cable for connection to a computer or data logger (with power) - 10m cable with power (with power)	10000030
32. 10m cable for connection to a computer or data logger (with power) - 10m cable with power (with power)	10000031
33. 10m cable for connection to a computer or data logger (with power) - 10m cable with power (with power)	10000032
34. 10m cable for connection to a computer or data logger (with power) - 10m cable with power (with power)	10000033
35. 10m cable for connection to a computer or data logger (with power) - 10m cable with power (with power)	10000034
36. 10m cable for connection to a computer or data logger (with power) - 10m cable with power (with power)	10000035
37. 10m cable for connection to a computer or data logger (with power) - 10m cable with power (with power)	10000036
38. 10m cable for connection to a computer or data logger (with power) - 10m cable with power (with power)	10000037
39. 10m cable for connection to a computer or data logger (with power) - 10m cable with power (with power)	10000038
40. 10m cable for connection to a computer or data logger (with power) - 10m cable with power (with power)	10000039
41. 10m cable for connection to a computer or data logger (with power) - 10m cable with power (with power)	10000040
42. 10m cable for connection to a computer or data logger (with power) - 10m cable with power (with power)	10000041
43. 10m cable for connection to a computer or data logger (with power) - 10m cable with power (with power)	10000042
44. 10m cable for connection to a computer or data logger (with power) - 10m cable with power (with power)	10000043
45. 10m cable for connection to a computer or data logger (with power) - 10m cable with power (with power)	10000044
46. 10m cable for connection to a computer or data logger (with power) - 10m cable with power (with power)	10000045
47. 10m cable for connection to a computer or data logger (with power) - 10m cable with power (with power)	10000046
48. 10m cable for connection to a computer or data logger (with power) - 10m cable with power (with power)	10000047
49. 10m cable for connection to a computer or data logger (with power) - 10m cable with power (with power)	10000048
50. 10m cable for connection to a computer or data logger (with power) - 10m cable with power (with power)	10000049
51. 10m cable for connection to a computer or data logger (with power) - 10m cable with power (with power)	10000050
52. 10m cable for connection to a computer or data logger (with power) - 10m cable with power (with power)	10000051
53. 10m cable for connection to a computer or data logger (with power) - 10m cable with power (with power)	10000052
54. 10m cable for connection to a computer or data logger (with power) - 10m cable with power (with power)	10000053
55. 10m cable for connection to a computer or data logger (with power) - 10m cable with power (with power)	10000054
56. 10m cable for connection to a computer or data logger (with power) - 10m cable with power (with power)	10000055
57. 10m cable for connection to a computer or data logger (with power) - 10m cable with power (with power)	10000056
58. 10m cable for connection to a computer or data logger (with power) - 10m cable with power (with power)	10000057
59. 10m cable for connection to a computer or data logger (with power) - 10m cable with power (with power)	10000058
60. 10m cable for connection to a computer or data logger (with power) - 10m cable with power (with power)	10000059
61. 10m cable for connection to a computer or data logger (with power) - 10m cable with power (with power)	10000060
62. 10m cable for connection to a computer or data logger (with power) - 10m cable with power (with power)	10000061
63. 10m cable for connection to a computer or data logger (with power) - 10m cable with power (with power)	10000062
64. 10m cable for connection to a computer or data logger (with power) - 10m cable with power (with power)	10000063
65. 10m cable for connection to a computer or data logger (with power) - 10m cable with power (with power)	10000064
66. 10m cable for connection to a computer or data logger (with power) - 10m cable with power (with power)	10000065
67. 10m cable for connection to a computer or data logger (with power) - 10m cable with power (with power)	10000066
68. 10m cable for connection to a computer or data logger (with power) - 10m cable with power (with power)	10000067
69. 10m cable for connection to a computer or data logger (with power) - 10m cable with power (with power)	10000068
70. 10m cable for connection to a computer or data logger (with power) - 10m cable with power (with power)	10000069
71. 10m cable for connection to a computer or data logger (with power) - 10m cable with power (with power)	10000070
72. 10m cable for connection to a computer or data logger (with power) - 10m cable with power (with power)	10000071
73. 10m cable for connection to a computer or data logger (with power) - 10m cable with power (with power)	10000072
74. 10m cable for connection to a computer or data logger (with power) - 10m cable with power (with power)	10000073
75. 10m cable for connection to a computer or data logger (with power) - 10m cable with power (with power)	10000074
76. 10m cable for connection to a computer or data logger (with power) - 10m cable with power (with power)	10000075
77. 10m cable for connection to a computer or data logger (with power) - 10m cable with power (with power)	10000076
78. 10m cable for connection to a computer or data logger (with power) - 10m cable with power (with power)	10000077
79. 10m cable for connection to a computer or data logger (with power) - 10m cable with power (with power)	10000078
80. 10m cable for connection to a computer or data logger (with power) - 10m cable with power (with power)	10000079
81. 10m cable for connection to a computer or data logger (with power) - 10m cable with power (with power)	10000080
82. 10m cable for connection to a computer or data logger (with power) - 10m cable with power (with power)	10000081
83. 10m cable for connection to a computer or data logger (with power) - 10m cable with power (with power)	10000082
84. 10m cable for connection to a computer or data logger (with power) - 10m cable with power (with power)	10000083
85. 10m cable for connection to a computer or data logger (with power) - 10m cable with power (with power)	10000084
86. 10m cable for connection to a computer or data logger (with power) - 10m cable with power (with power)	10000085
87. 10m cable for connection to a computer or data logger (with power) - 10m cable with power (with power)	10000086
88. 10m cable for connection to a computer or data logger (with power) - 10m cable with power (with power)	10000087
89. 10m cable for connection to a computer or data logger (with power) - 10m cable with power (with power)	10000088
90. 10m cable for connection to a computer or data logger (with power) - 10m cable with power (with power)	10000089
91. 10m cable for connection to a computer or data logger (with power) - 10m cable with power (with power)	10000090
92. 10m cable for connection to a computer or data logger (with power) - 10m cable with power (with power)	10000091
93. 10m cable for connection to a computer or data logger (with power) - 10m cable with power (with power)	10000092
94. 10m cable for connection to a computer or data logger (with power) - 10m cable with power (with power)	10000093
95. 10m cable for connection to a computer or data logger (with power) - 10m cable with power (with power)	10000094
96. 10m cable for connection to a computer or data logger (with power) - 10m cable with power (with power)	10000095
97. 10m cable for connection to a computer or data logger (with power) - 10m cable with power (with power)	10000096
98. 10m cable for connection to a computer or data logger (with power) - 10m cable with power (with power)	10000097
99. 10m cable for connection to a computer or data logger (with power) - 10m cable with power (with power)	10000098
100. 10m cable for connection to a computer or data logger (with power) - 10m cable with power (with power)	10000099

Accessory Descriptions

- Connector (1405PK069)**
An optional connector is available if required. The connector is compatible with all MaxiMet models and is supplied with pins.
- Cable for operational use**
The 10m cable can be used to connect MaxiMet to power and communication. The cable can be supplied as a 10m cable with pins fitted (1405PK069) or by the meter (standard).
- Cable for setup configuration (1405PK065)**
The cable can be used to connect a MaxiMet to a USB port on a computer. Using this method, the setup of the MaxiMet can be updated to suit a particular requirement. The cable is 10m long and supplied with a MaxiMet connector on one end and a USB connector on the other end.

gillinstruments.com

OTHER MAXIMET MODELS

	Wind	Temperature, humidity, pressure	Rain	Solar	Compass, GPS	Low power heating
GMX200	Y				Y, as option	
GMX240	Y		Integrated optical rain sensor		Y, as option	
GMX300		Y				
GMX301		Y		Y		
GMX500	Y	Y			Y, as option	Y, as option
GMX501	Y	Y		Y	Y, as option	Y, as option
GMX550	Y	Y	Tipping bucket connector		Y, as option	T, as option
GMX551	Y	Y	Tipping bucket connector	Y	Y, as option	Y, as option
GMX560	Y	Y			Y, as option	Y, as option
GMX600	Y	Y	Integrated optical rain sensor		Y, as option	Y, as option

For more information about MaxiMet®, please contact Gill Instruments.

Designed and manufactured in the UK by Gill Instruments Limited.

**As a representative of this supplier,
we – from Observator – distribute
these products. Originating from
the Netherlands, Observator has
grown into an internationally
oriented company with a worldwide
distribution network.**

**For more information contact
Observator Instruments:**

Australia

T: +61 3 8706 5000

E: sales.au@observator.com / service.au@observator.com

Germany

T: +49 (0)152 02047306 / +49 (0)152 02047308

E: contact@observator.com

The Netherlands

T: +31 (0)180 463411

E: sales@observator.com / service@observator.com

Poland

T: +48 537 209 665

E: a.miller@observator.com

Singapore

T: +65 68 72 08 63

E: sales@observator.sg

United Kingdom

T: +44 (0)783 346 4884

E: info.uk@observator.com

Welcome to the world of Observator

Since 1924 Observator has evolved to be a trend-setting developer and supplier in a wide variety of industries. Originating from the Netherlands, Observator has grown into an internationally

oriented company with a worldwide distribution network and offices in Australia, Germany, the Netherlands, Singapore and the United Kingdom.

www.observator.com